

# Plantable Retaining Walls for Modern Landscapes



## Plant the wall face to create “one of a kind” landscapes for your clients!

Our innovative, landscape retaining wall block system is designed for ease of shipping, handling, and installation. Build retaining walls up to 8' tall with full size retaining wall blocks that cool the environment, while creating green-space and habitat.

- Varden™ Living Retaining Wall Blocks weigh **3 pounds each**, saving time and backache
- Save on storage space with our nestable blocks and innovative packaging.
- Build walls up to 8' tall with these full size retaining wall blocks that **cover 1 sf each**
- Turn your retaining wall structure into a lush landscape garden by planting into the gaps
- Delivered in 10 ct. boxes by **UPS** or up to 250 ct. /pallet by **LTL freight** - no dock needed

**Block Specs:** 15" wide x 6" high x 14" deep modules

**Colors:** Gray, Tan, Brown, Green

**Qty:** 250 Blocks + 500 Side Rails

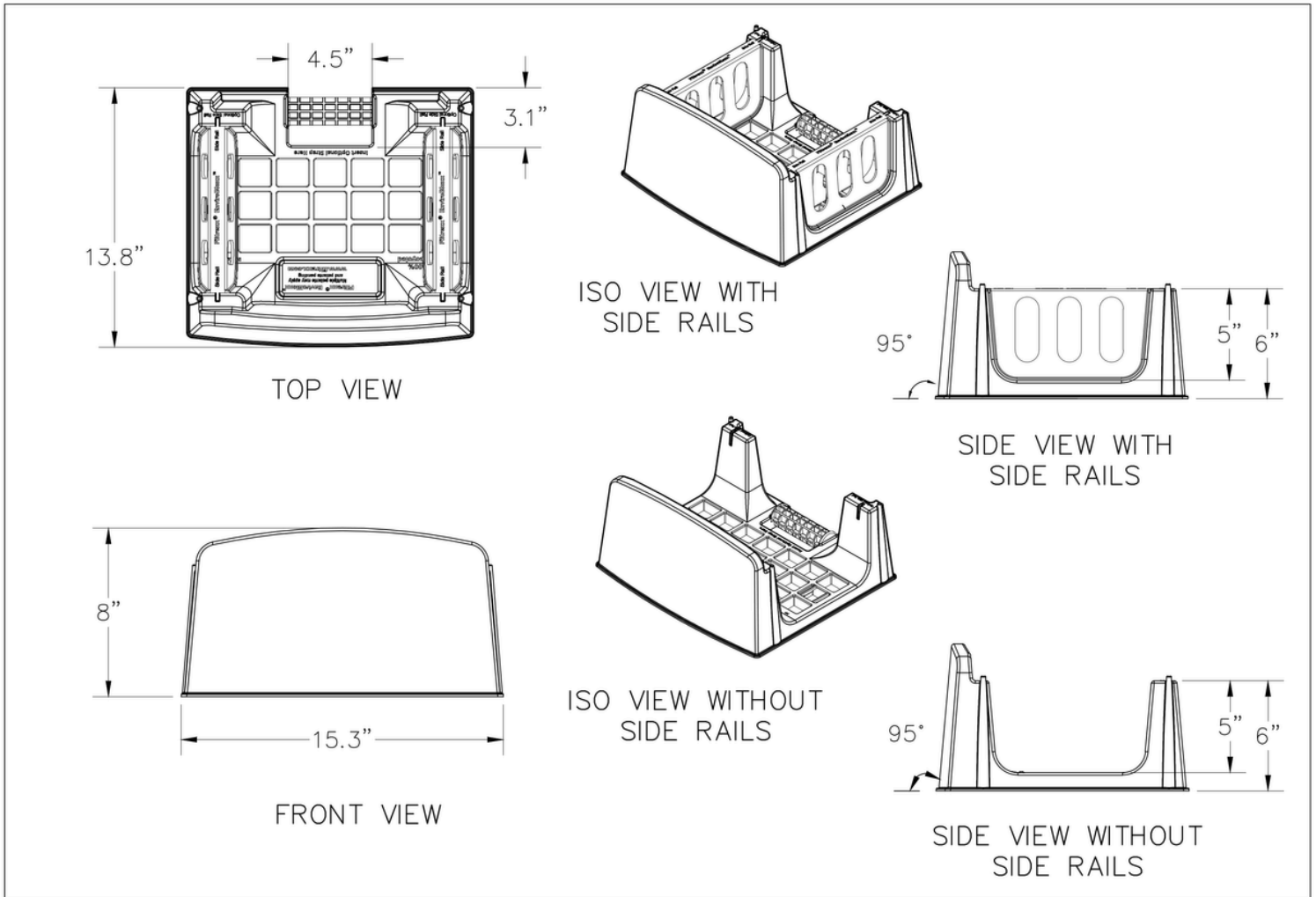
**Pallet:** 48" x 48" x 84" @ 850 lbs.

**Class 100**

**FOB** St. Louis, MO or Salem, IL.



Verdtech, Inc. | P.O. Box 221387, St. Louis, MO, 63122 |  
314-279-8905 | [www.verdtech.com](http://www.verdtech.com) | [info@verdtech.com](mailto:info@verdtech.com)



The graphic representations are intended to support design and construction of VARDEN Living Walls. Design and construction of any VARDEN Block Wall should meet local codes.

SCALE: NONE

# Varden™ Block Details



**Varden™  
Blocks Nest for  
Easy Shipment  
on Pallets or in  
Boxes**